

# Jimmy Styks™

Jimmy Styks™  
**PUFFOR**

Jimmy Styks™  
**SEEKER**

Jimmy Styks™  
**IB**

INFLATABLE SUP  
OWNER'S GUIDE

# **IMPORTANT**

**READ THIS IMPORTANT INFORMATION BEFORE USING YOUR INFLATABLE PADDLE BOARD**

**DISREGARDING ANY OF THE SAFETY PRECAUTIONS AND INSTRUCTIONS CONTAINED IN THE OWNER'S MANUAL AND/OR ON THE PRODUCT MAY RESULT IN INJURY... INCLUDING THE POSSIBILITY OF DEATH.**

- REVIEW THE WEIGHT CAPACITY LIMITATIONS OF THIS BOARD AND NEVER EXCEED IT.
- ALWAYS WEAR A COAST GUARD APPROVED PERSONAL FLOTATION DEVICE (PFD).
- NEVER GO PADDLE-BOARDING IN SEVERE WEATHER OR WATER CONDITIONS THAT MIGHT AFFECT YOUR ABILITY TO STEER THE BOARD OR RETURN TO SHORE.
- NEVER ALLOW MINORS TO USE THIS BOARD WITHOUT ADULT SUPERVISION.
- NEVER CONSUME ALCOHOL OR ANY OTHER SUBSTANCE THAT MAY IMPAIR YOUR COORDINATION, JUDGEMENT OR ABILITY TO SAFELY PADDLE THE BOARD.
- NEVER USE THIS BOARD BEYOND YOUR SKILLS OR ABILITY.
- NEVER USE THIS PRODUCT AFTER SUNSET, BEFORE DAWN OR AT ANY TIME IN POOR LIGHTING.
- CHECK LOCAL LAWS AND REGULATIONS REGARDING PROPER AND SAFE USE OF THIS PRODUCT.
- NEVER LEAVE BOARD EXPOSED TO DIRECT SUNLIGHT WHEN OUT OF THE WATER.
- NEVER LEAVE A DECK PAD EXPOSED TO DIRECT SUNLIGHT.
- DO NOT STORE PADDLE BOARD IN A BOARD BAG FOR EXTENDED PERIODS OF TIME.
- TIGHTEN AIR VALVE BEFORE TAKING BOARD INTO THE WATER. LOOSEN AIR VALVE AFTER USE TO RELEASE AIR PRESSURE.
- REGULARLY INSPECT AIR VALVE FOR TEARS AND/OR DAMAGE BEFORE USE.

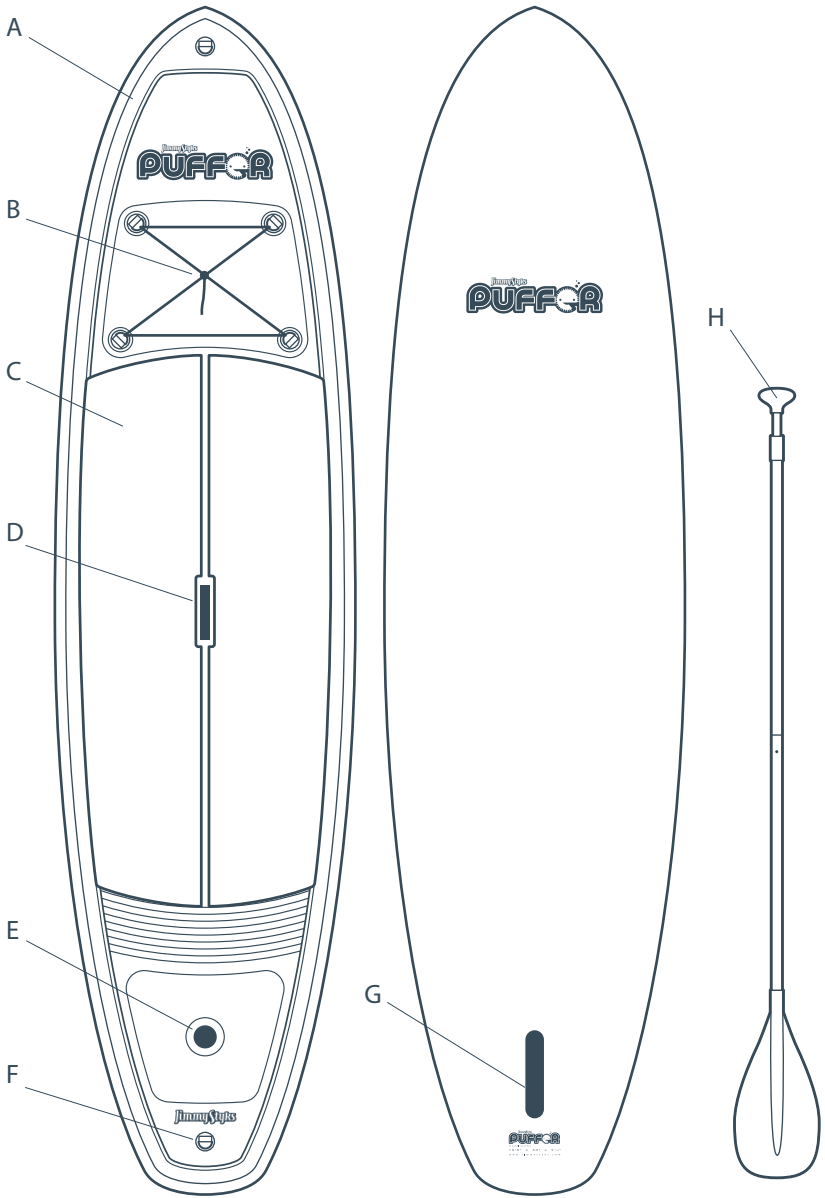
FOR WARRANTY INFORMATION, PARTS/ACCESSORIES, CALL 1-800-370-0745  
OR CONTACT US THROUGH OUR WEB SITE, [WWW.JIMMYSTYKS.COM](http://WWW.JIMMYSTYKS.COM)

# TABLE OF CONTENTS

Identifying Inflatable SUP Parts & Accessories	Section 1
Inflatable SUP Care & Maintenance	Section 2
Board Maintenance	Page 10
Pump Maintenance	Page 11
Inflating & Deflating Inflatable SUP	Section 3
SUP Inflation	Page 12
Inner Valve Positioning	Page 13
SUP Deflation	Page 13
Tightening Valve	Page 14
Fin & Leash Installation	Section 4
Fin Installation	Page 15
Leash Installation	Page 16
JS Adjustable Travel Paddle	Section 5
Paddle Assembly	Page 17
Carry & Transport Guidelines	Section 6
Tips for Transporting	Page 18
Tips for Carrying	Page 19
Repair Kit Contents & Application	Section 7
Repair Kit Contents	Page 20
Repairing Leaks & Tears	Page 20
Water Safety Guidelines	Page 22
Limited Warranty Information	Page 23

QUESTIONS/COMMENTS:  
**1-800-370-0745**  
j i m m y s t y k s . c o m

# IDENTIFYING INFLATABLE SUP PARTS & ACCESSORIES

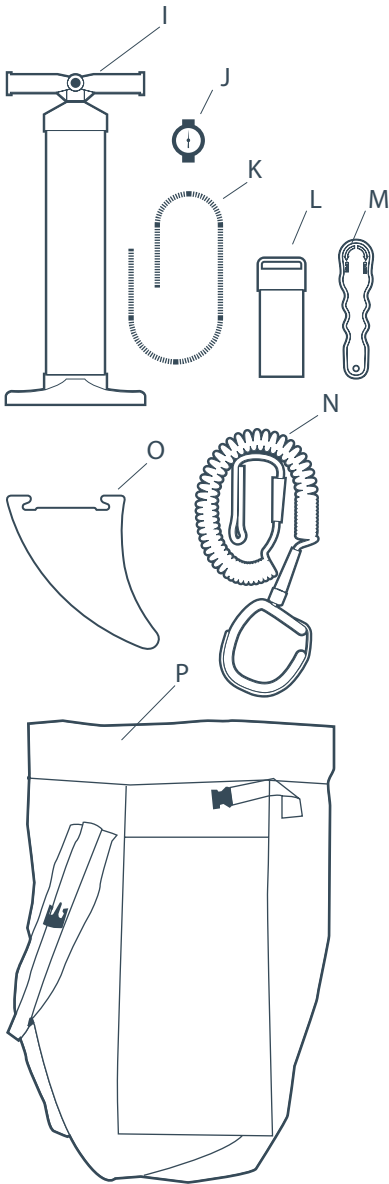


FOR WARRANTY INFORMATION, PARTS/ACCESSORIES, CALL 1-800-370-0745  
OR CONTACT US THROUGH OUR WEB SITE, [WWW.JIMMYSTYKS.COM](http://WWW.JIMMYSTYKS.COM)

# SECTION 1

## Jimmy Styks PUFFER

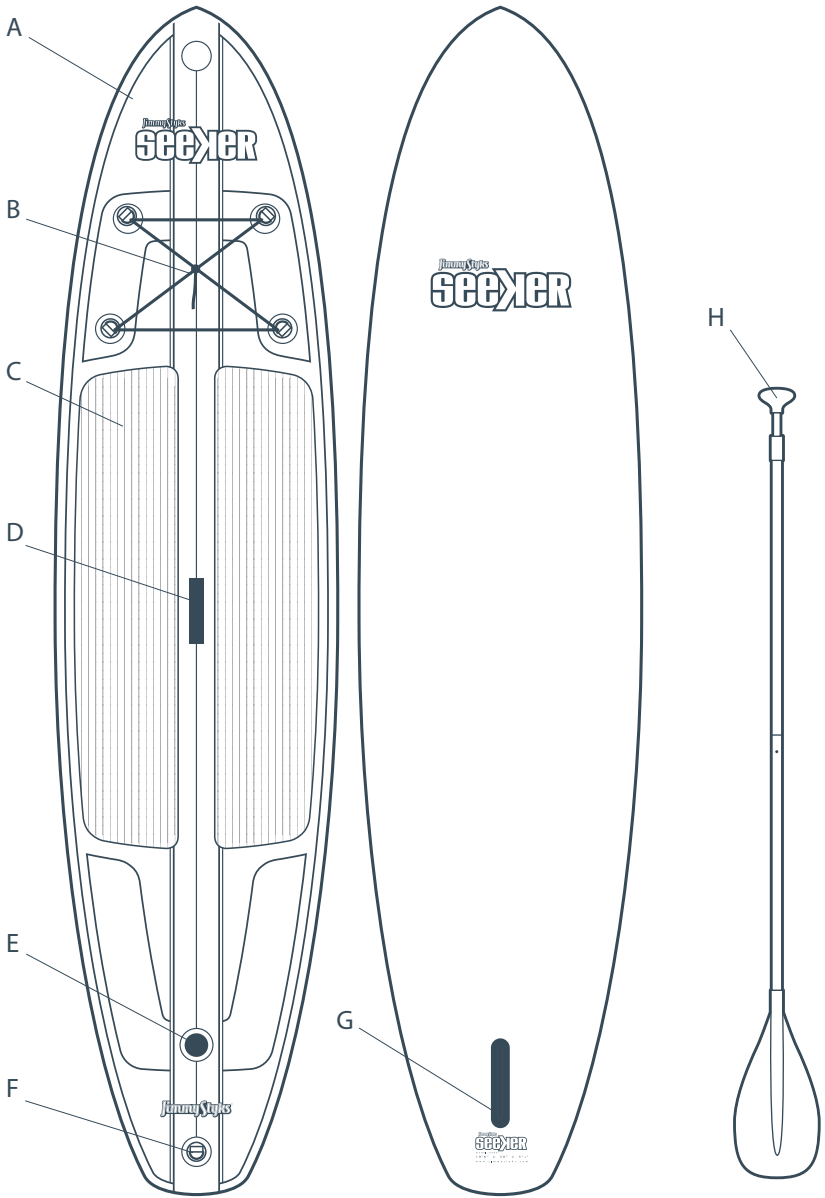
INFLATABLE SUP  
10'6" x 30" x 5<sup>7</sup>/<sub>8</sub>"



- A ..... PUFFER Paddle Board
- B ..... Bungee Ties
- C .....Traction Pad
- D ..... Carry Handle
- E ..... Air Valve
- F ..... Leash D-Ring
- G ..... Fin Clamp
- H ..... JS Adjustable Travel Paddle
- I ..... HP1 High Pressure Pump
- J ..... Pressure Gauge
- K ..... Air Hose
- L ..... RK1 Repair Kit
- M ..... Valve Wrench
- N ..... CL10 Coil Leash
- O ..... Fin
- P ..... Board Tote

QUESTIONS/COMMENTS:  
**1-800-370-0745**  
jimmystyks.com

# IDENTIFYING INFLATABLE SUP PARTS & ACCESSORIES

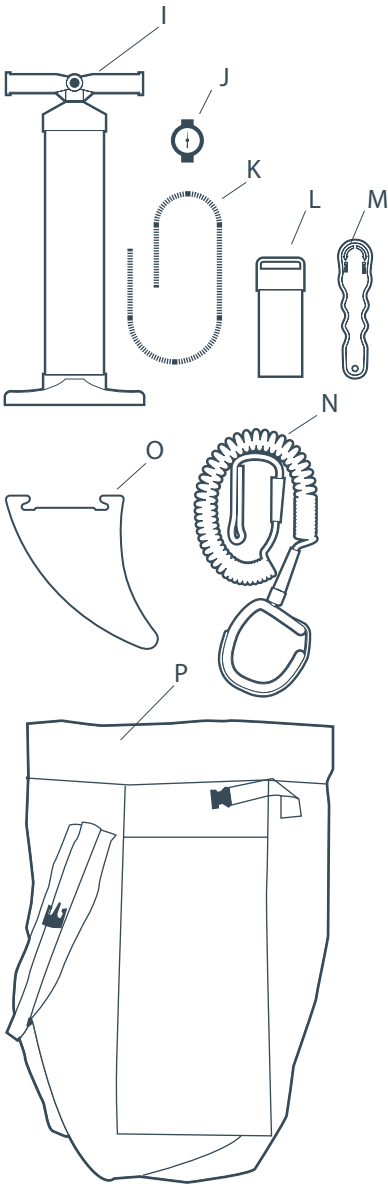


FOR WARRANTY INFORMATION, PARTS/ACCESSORIES, CALL 1-800-370-0745  
OR CONTACT US THROUGH OUR WEB SITE, [WWW.JIMMYSTYKS.COM](http://WWW.JIMMYSTYKS.COM)

# SECTION 1

## Jimmy Styks™ SEEKER

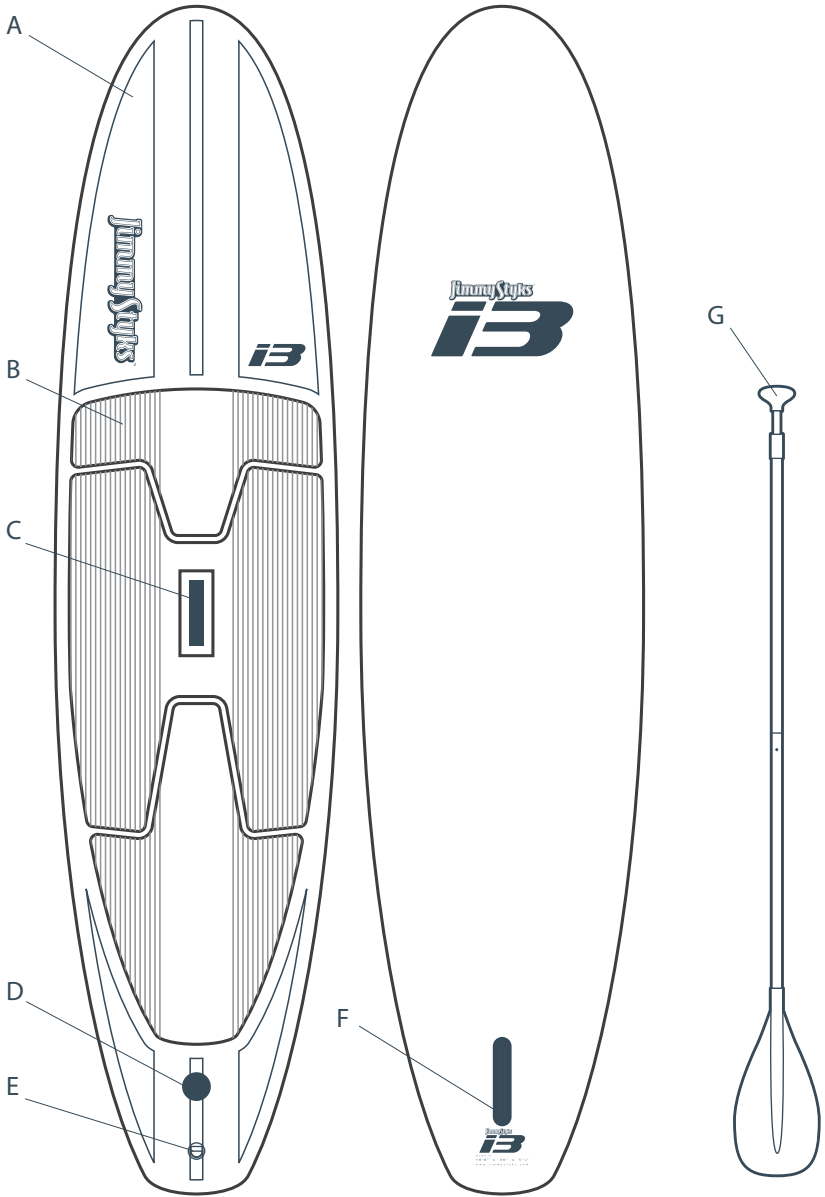
INFLATABLE SUP  
10'6" x 30" x 5<sup>7</sup>/<sub>8</sub>"



- A ..... SEEKER Paddle Board
- B ..... Bungee Ties
- C ..... Traction Pad
- D ..... Carry Handle
- E ..... Air Valve
- F ..... Leash D-Ring
- G ..... Fin Clamp
- H ..... JS Adjustable Travel Paddle
- I ..... HP1 High Pressure Pump
- J ..... Pressure Gauge
- K ..... Air Hose
- L ..... RK1 Repair Kit
- M ..... Valve Wrench
- N ..... CL10 Coil Leash
- O ..... Fin
- P ..... Board Tote

QUESTIONS/COMMENTS:  
**1-800-370-0745**  
jimmystyks.com

# IDENTIFYING INFLATABLE SUP PARTS & ACCESSORIES



FOR WARRANTY INFORMATION, PARTS/ACCESSORIES, CALL 1-800-370-0745  
OR CONTACT US THROUGH OUR WEB SITE, [WWW.JIMMYSTYKS.COM](http://WWW.JIMMYSTYKS.COM)

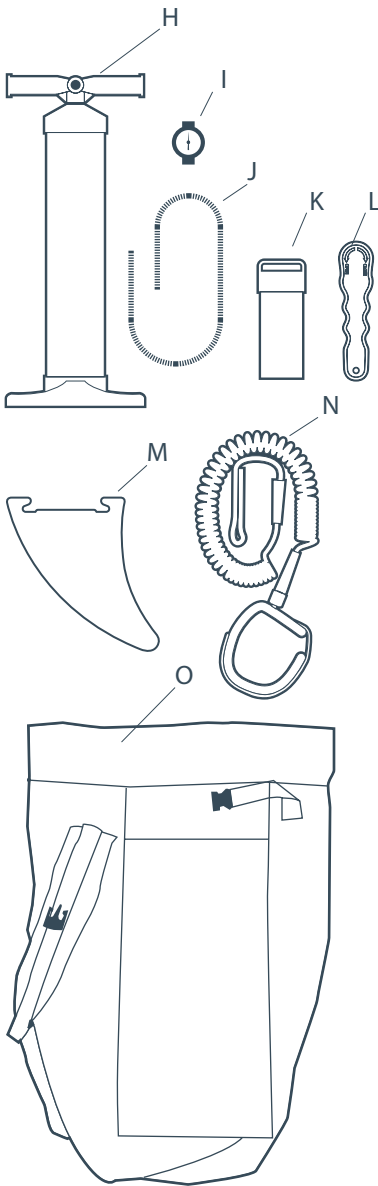


# SECTION 1

Jimmy Styks™



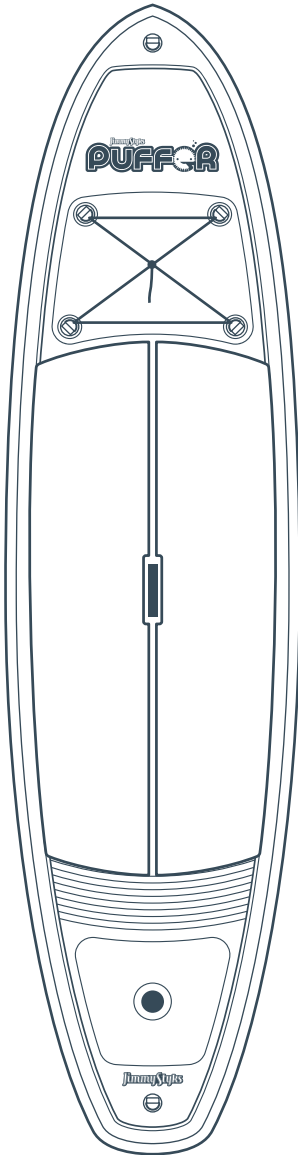
INFLATABLE SUP  
10'6" x 30" x 5 7/8"



- A ..... i3 Paddle Board
- B ..... Traction Pad
- C ..... Carry Handle
- D ..... Air Valve
- E ..... Leash D-Ring
- F ..... Fin Clamp
- G ..... JS Adjustable Travel Paddle
- H ..... HP1 High Pressure Pump
- I ..... Pressure Gauge
- J ..... Air Hose
- K ..... RK1 Repair Kit
- L ..... Valve Wrench
- M ..... Fin
- N ..... CL10 Coil Leash
- O ..... Board Tote

QUESTIONS/COMMENTS:  
**1-800-370-0745**  
jimmystyks.com


## INFLATABLE SUP CARE & MAINTENANCE



### **IMPORTANT**

DIRECT SUNLIGHT MAY DESTROY YOUR PADDLE BOARD.

Even mild sunlight can damage a board if left in the direct sunlight for a period of time. On a mild day at 21°C (mid-to-high 70°F), the inside of a car can reach 77°C (170° F).

 **Never leave paddle board exposed to direct sunlight when out of the water.**

Always keep in the shade when not in the water. If you must expose your board to direct sunlight during transport or temporary storage, it is safest to keep the white (bottom) facing up.

 **Max pressure is 12 psi.**

Max pressure is 12 psi. If inflated cold to 12 psi, pressure will increase in the sun causing potential damage to seams.

**Damage resulting from heat is not covered by manufacturer's warranty!**

FOR WARRANTY INFORMATION, PARTS/ACCESSORIES, CALL 1-800-370-0745  
OR CONTACT US THROUGH OUR WEB SITE, [WWW.JIMMYSTYKS.COM](http://WWW.JIMMYSTYKS.COM)

## BOARD MAINTENANCE

Sun, sand and saltwater will degrade any man-made material over time. Rinse off sand and saltwater deposits from your paddle board with fresh water and store in a cool, dry environment after each use.



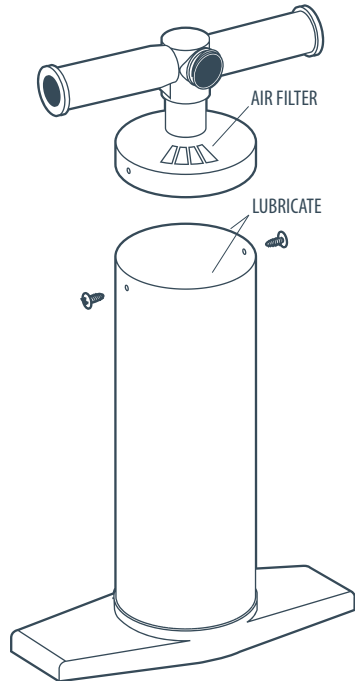
# IMPORTANT

## PUMP MAINTENANCE

Please be sure that before and during use, the pump is fully lubricated with oil.

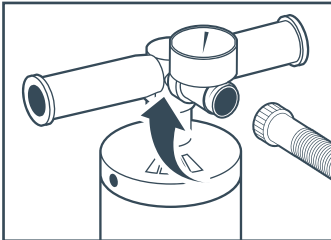
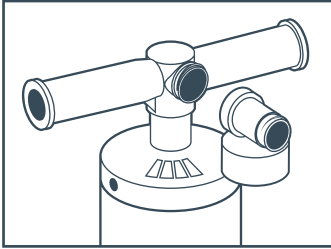
To lubricate, open the top and spread a thin layer of oil or grease on the gasket and tube.

Regularly clean the air filter located inside the top.

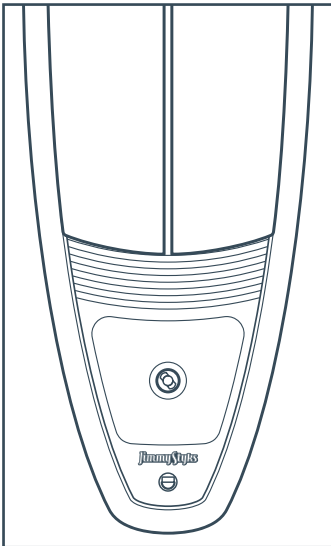


QUESTIONS/COMMENTS:  
**1-800-370-0745**  
 jimmyskyks.com

# INFLATING & DEFLATING SUP



PUMP ASSEMBLY



LOCATING AIR VALVE

## SUP INFLATION

### STEP 1: PUMP SET UP

Attach pressure gauge to pump. Begin with pressure gauge dial facing the ground and twist clockwise 180 degrees until dial is securely fastened and facing upward.

Fasten air hose to pressure gauge.

### STEP 2: INFLATING SUP

Locate the air valve on tail section of the board deck.

Open valve cover.

Make sure the **inner valve** is disengaged in the “**up**” position (See opposite illustration).

Connect air hose to air valve.

Inflate to **10-12 psi**.

Disconnect air hose from valve. **Inner valve will prevent air from escaping when disengaged in the “up” position.**

Close valve cover.

## INNER VALVE POSITIONING


**IMPORTANT**

The inner valve will prevent air from escaping when disengaged (“Up” position).

The inner valve will allow air to escape freely when engaged (“Down” position).

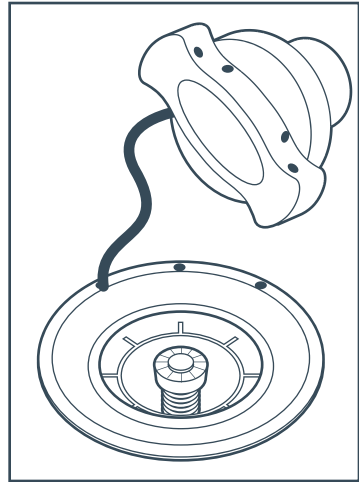
## SUP DEFLATION

Open valve cover.

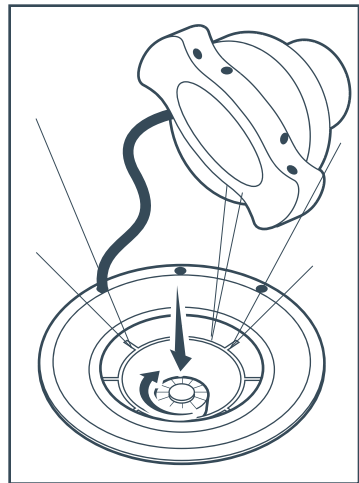
Depress **inner valve** and turn clockwise to lock in the open or “down” position.

Allow air to freely escape Inflatable SUP for a few minutes.

Beginning at the nose, tightly roll up Inflatable SUP to force remaining air through the air valve.



INNER VALVE DISENGAGED (UP POSITION)  
AIR PREVENTED FROM LEAVING SUP

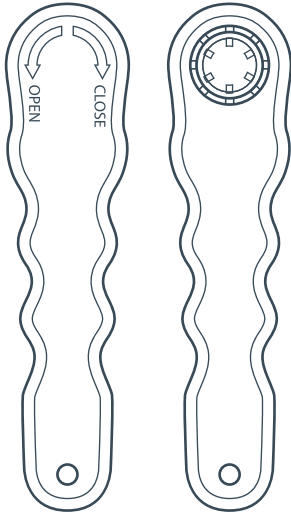


INNER VALVE ENGAGED (DOWN POSITION)  
AIR ESCAPES FREELY FROM SUP

QUESTIONS/COMMENTS:  
**1-800-370-0745**  
jimmystyks.com

# TIGHTENING VALVE

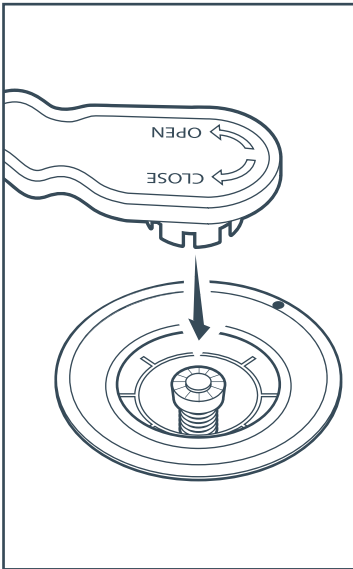
VALVE WRENCH



**! IMPORTANT**

## Inflatable SUP INFLATION

Occasionally, the valve on your inflatable SUP may become loose. If the valve flange freely spins when opening the valve cover or you detect air leaking from the valve area, tightening will be required. Using the included valve wrench, tighten valve in a clockwise motion until hand tight.



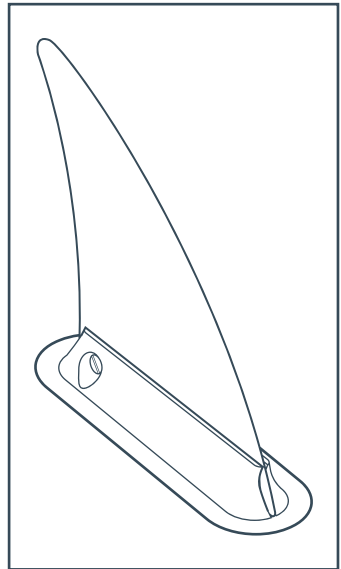
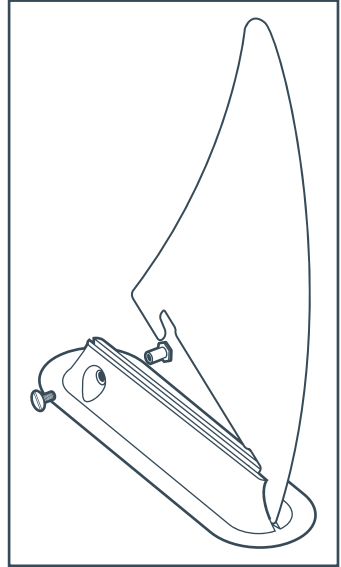
FOR WARRANTY INFORMATION, PARTS/ACCESSORIES, CALL 1-800-370-0745  
OR CONTACT US THROUGH OUR WEB SITE, [WWW.JIMMYSTYKS.COM](http://WWW.JIMMYSTYKS.COM)

**FIN INSTALLATION**

Completely remove screw and barrel from fin clamp.

Insert fin, front first then lower into place until flush against bottom of fin clamp.

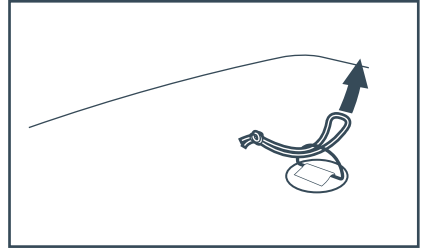
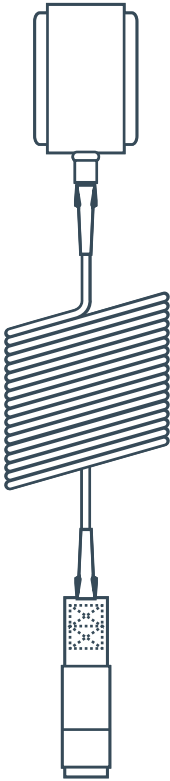
Reset screw and barrel. Tighten securely.



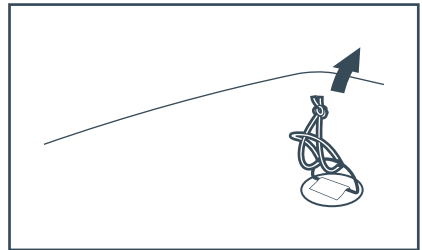
QUESTIONS/COMMENTS:  
**1-800-370-0745**  
jimmystyks.com

# LEASH INSTALLATION

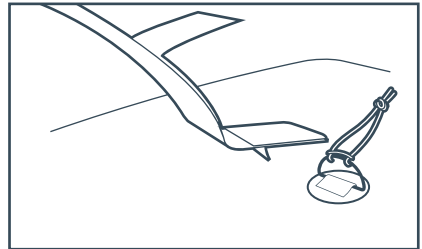
## COIL LEASH



Pull leash loop through eyelet.



Pull knot through loop and pull tight



Open Velcro board cuff and attach leash to leash loop

Jimmy Styks™ recommends that you remove your leash after use to prevent unintentional snagging.

FOR WARRANTY INFORMATION, PARTS/ACCESSORIES, CALL 1-800-370-0745  
OR CONTACT US THROUGH OUR WEB SITE, WWW.JIMMYSTYKS.COM



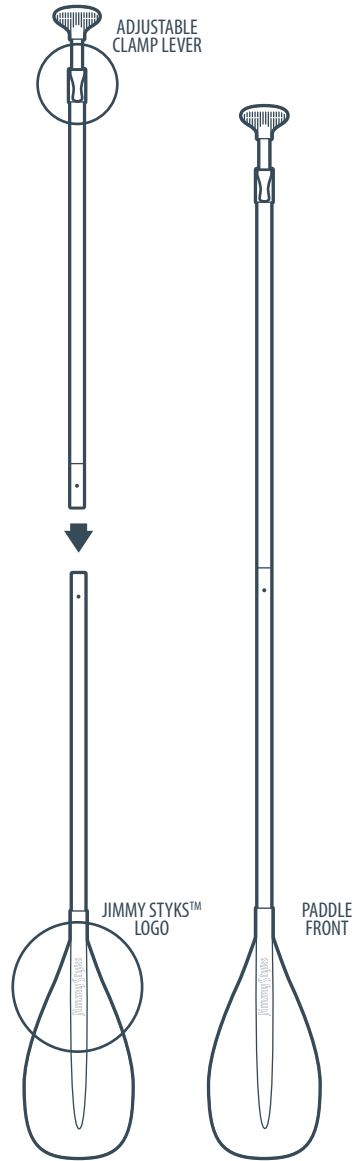
**PADDLE ASSEMBLY**

The Inflatable SUP includes our JS Adjustable Paddle. For carrying convenience, the paddle can be separated into two smaller halves. Our JS WATER GEAR adjustable clamp allows for non-permanent sizing on-the-go.



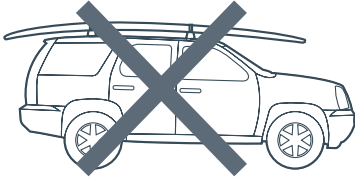
When connecting the two shafts of the paddle, make sure that the “Jimmy Styks™” logo side of the blade is aligned with the adjustable clamp lever.

Be careful to not pinch finger tips when connecting the two paddle shafts.



QUESTIONS/COMMENTS:  
**1-800-370-0745**  
 jimmystyks.com

## CARRY & TRANSPORT GUIDELINES

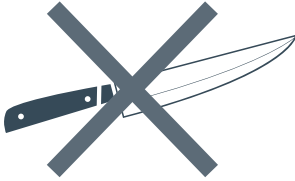


### TIPS FOR TRANSPORTING



**Do not transport an inflated stand up paddle board on top of a vehicle.**

Inflatable SUPs are designed to compact for convenient storage & travel. Due to a lack of weight when inflated, they will travel poorly if strapped to a vehicle rooftop. **Damages incurred by improper transport are not covered by the manufacturer's warranty!**



When transporting, be sure to clear any sharp objects. **Punctures are not covered by the manufacturer's warranty!**



Keep clear of any heat producing items such as camp stoves, propane lamps, etc. **Damages resulting from heat are not covered by the manufacturer's warranty!**

Allow your Inflatable SUP to completely dry before tightly rolling for packing. Excess moisture may cause mildew and/or mold damage.

## TIPS FOR CARRYING

The included board tote is intended for Inflatable SUP and Inflatable SUP accessories only. Additional items added to the board tote may exceed weight capacity and result in damages to the tote, shoulder straps and/or carry handle.

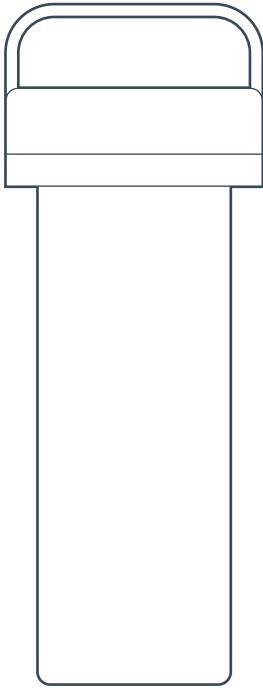


**Never carry more than you can handle comfortably.**

When completely packed, an inflatable SUP and its accessories can get rather heavy. Make sure to never carry more than is comfortable for you in one trip. Always use proper lifting and carrying techniques to avoid straining muscles.

For maximum comfort when carrying in board tote, wear both shoulder straps to evenly distribute the carry weight. Tighten the shoulder straps to reduce slack and to avoid tote contents from resting on the back of the legs.

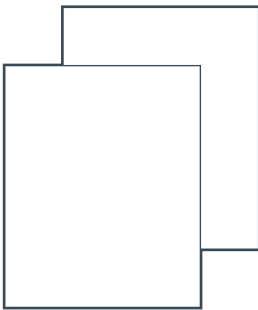
## REPAIR KIT CONTENTS & APPLICATION



REPAIR KIT CONTAINER



CEMENT



PVC/POLYESTER PATCHES X 2

### REPAIRING LEAKS & TEARS

#### THE REPAIR KIT

Your inflatable SUP comes equipped with an RK1 emergency repair kit for small leaks and/or tears.

The included kit may not be adequate for larger tears or along seams. Contact Jimmy Styks™ online at [jimmystyks.com](http://jimmystyks.com) for further assistance.



**IMPORTANT**

To avoid cement irritation of skin, it is recommended to wear latex gloves when attempting to make repairs.

#### BEFORE YOU START

Prepare the following items:

Latex Gloves (Pair)

Isopropyl Alcohol (Rubbing Alcohol)

Clean Cloth

Cement Applicator (Brush, Popsicle® stick, etc.)

RK1 Emergency Repair Kit Contents

### DIRECTIONS FOR USE

1. Completely deflate paddle board.
2. Thoroughly clean the surface around the leak and the matte side of the PVC/Polyester patch with rubbing alcohol. Both surfaces must be free of moisture, oil and debris.
3. Open the cement tube by breaking the tube seal using the outside of the tube cap.
4. Apply cement carefully and evenly to both paddle board surface and matte side patch surface. Avoid contact with skin & eyes. Avoid breathing cement vapors.
5. Allow cement on both board and patch to dry to the touch. Once dry, reapply a very thin layer of cement around the perimeter of the patch.
6. Once cement on both board and patch becomes tack-free, apply patch to board and firmly work out any trapped air bubbles.
7. Allow 8 hours for cement to cure before inflating paddle board.

# **IMPORTANT**

## **WATER SAFETY GUIDELINES**



**ALWAYS WEAR A COAST GUARD APPROVED PERSONAL FLOTATION DEVICE (PFD).**



**NEVER GO PADDLE-BOARDING IN SEVERE WEATHER OR WATER CONDITIONS THAT MIGHT AFFECT YOUR ABILITY TO STEER THE BOARD OR RETURN TO SHORE.**



**NEVER ALLOW MINORS TO USE THIS BOARD WITHOUT ADULT SUPERVISION.**



**NEVER CONSUME ALCOHOL OR ANY OTHER SUBSTANCE THAT MAY IMPAIR YOUR COORDINATION, JUDGEMENT, OR ABILITY TO SAFELY PADDLE THE BOARD.**



**NEVER USE THIS BOARD BEYOND YOUR SKILLS OR ABILITY.**



**NEVER USE THIS PRODUCT AFTER SUNSET, BEFORE DAWN OR AT ANY TIME IN POOR LIGHTING.**



**CHECK LOCAL LAWS AND REGULATIONS REGARDING PROPER AND SAFE USE OF THIS PRODUCT.**

FOR WARRANTY INFORMATION, PARTS/ACCESSORIES, CALL 1-800-370-0745  
OR CONTACT US THROUGH OUR WEB SITE, [WWW.JIMMYSTYKS.COM](http://WWW.JIMMYSTYKS.COM)

# LIMITED WARRANTY

## JIMMY STYKS™ 365 DAY LIMITED WARRANTY

Jimmy Styks™ offers a limited 365 Day Warranty Against Defects in Materials and Workmanship.

### Terms of Warranty:

Your Jimmy Styks™ product is guaranteed to be free of defects in material and workmanship for a period of no more than 365 days from the date of purchase. If the product does not conform to the warranty, Jimmy Styks™, at its discretion will issue a new, like new, or similar model product, excluding any shipping charges. Warranty extends to original purchaser only and is non-transferable. Sales receipt and original packaging materials are required.

### Warranty:

Jimmy Styks™ will make every effort to produce boards to the highest quality and standards in the industry. We do quality checks in our factories in Asia and in our warehouses in North America in an effort to guarantee each board's quality before shipping. Because of the nature of surfing and paddle boarding we can not warranty the performance of any board or shape for individual riders and varying levels of skills and abilities. Furthermore, we can not guarantee against damage or breakage and cannot protect or warranty against circumstances outside of our control. In the event of a new board being removed from a box and not in good condition, please contact the office for resolution. You will be asked for a copy of a sales receipt and photos of the damage in question, as well as original packaging material to verify if damage was due to shipping. If it is deemed a manufacturing or material flaw, we will issue an RMA number. This number along with the damaged product will need to be returned to the closest warehouse (Vancouver or Huntington Beach) at customer's expense. Upon physical review, Jimmy Styks™ will make its final determination as to the nature of the damage or flaw and issue a replacement product (model depends on availability), or store credit. Shipping will be the responsibility of the customer. We are not responsible for damage or defects once the board has been used. Damage is defined as impact with any object or material, punctures, abrasions, over-inflation, damage due to dropping, loading, unloading, or transport, alterations or modifications, repairs, natural disasters, fires, temperatures below 40 degrees F, or above 110 degrees F, any further use of a board once a claim has been reported, transport or storage of a board with a closed air valve, use of a board in the water with a loose or removed air valve, failure to clean and service air vent valve, storage of a board in extremely hot or humid conditions including a wet or damp board bag.

### Returns and exchanges:

Jimmy Styks™ will exchange any new, unused product for company credit providing it is accompanied by original sales receipt and all original packaging. This will not include any shipping charges or expenses. Product must be in new condition and will be subject to the inspection of staff.

QUESTIONS/COMMENTS:  
**1-800-370-0745**  
j i m m y s t y k s . c o m

**Jimmy Styks™**

1-800-370-0745 | [www.jimmystyks.com](http://www.jimmystyks.com)